

**Vane switch, mechanical, with paddle,  
with switching output**

WFS

Mechanical wind vane switch **RHEASREG® WFS** with switching output, in an impact-resistant plastic housing, with stainless-steel paddle, for flow monitoring of gaseous, non-aggressive media.

The flow sensor is used as a flow controller or air flow monitor in air conditioning ducts, in air intake or exhaust devices of ventilators or electric heating registers (also for contaminated, oily air).



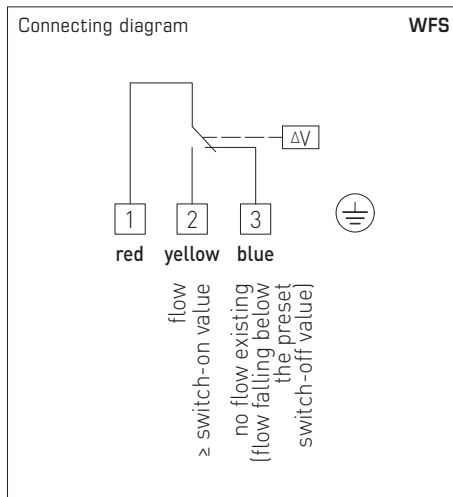
**TECHNICAL DATA**

Switching capacity: (Contact load)	15 (8) A; 24...250 V AC at 24 V AC min. 150 mA
Contact:	dustproof microswitch as single-pole, potential-free changeover contact
Housing:	plastic, UV-resistant, material polyamide, 30% glass-globe reinforced, colour traffic white (similar to RAL 9016)
Housing dimensions:	108 x 70 x 73.5 mm (Thor2)
Base body:	galvanised steel
Moving arm:	brass
Vane:	stainless steel <b>V2A</b> (1.4301)
Cable connection:	<b>cable gland</b> , plastic (M20 x 1.5; with strain relief, exchangeable, inner diameter 8 - 13 mm)
Housing temperature:	-40...+85 °C
Operating difference:	≥ 1,5 m/s
Electrical connection:	0.14 - 1.5 mm <sup>2</sup> , via screw terminals
Protection class:	I (according to EN 60 730)
Protection type:	<b>IP 65</b> (according to EN 60 529)
Standards:	CE conformity, EMC directive 2014 / 30 / EU, low-voltage directive 2014 / 35 / EU

**FUNCTION**

**Monitor:** Contact 1 - 3 breaks when flow rate drops to the preset value. Simultaneously, contact 1 - 2 closes and can be used as signal contact.

**Assembly note:** the installation is only possible in **horizontal** air ducts. Make sure that there is a **damping section** (≥ 5 times the pipe diameter) before and after the installation location.  
For **wind speeds > 5 m/s**, cut the vane/paddle at the marked spots. This will result in an increase of the default values (see table).

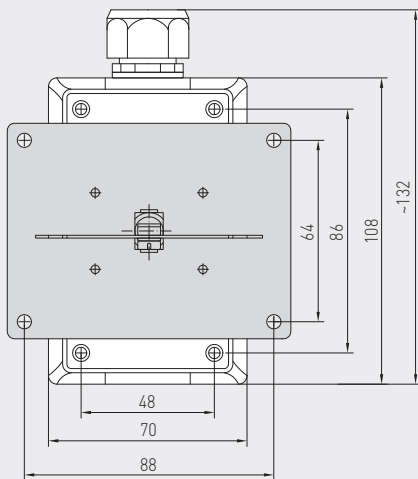
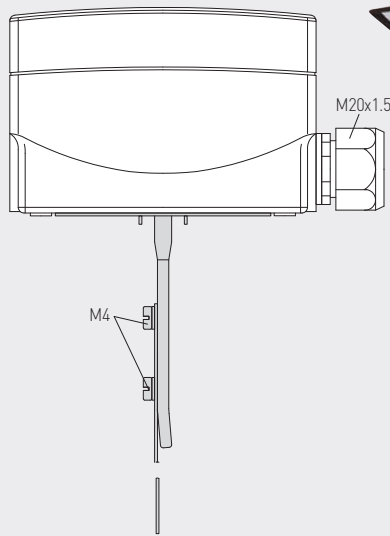
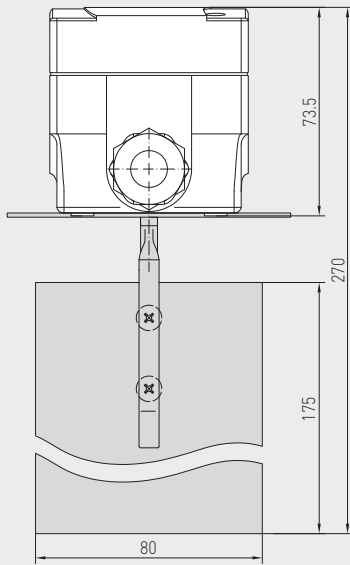




Dimensional drawing

WFS

WFS



RHEASREG® WFS Vane switch, mechanical, with paddle						
Type / WG01	Switch-on value [m/s]		Switch-off value [m/s]		Item No.	Price
	min.	max.	min.	max.		
<b>WFS</b>						
WFS-1E	2,5 (4,0)	9,2	1,0 (2,5)	8,0	1702-3020-0000-000	80,62 €
Note: Minimum values in brackets apply to wind speeds > 5 m/s						
Spare part						
<b>PWFS-08</b>	Spare paddle for WFS (Stainless steel vane)				7700-0010-2000-000	18,61 €

