

**Pressure and differential pressure measuring transducers,
including connection set, adjustable, calibratable,
with multi-range switching and active output**

The calibratable pressure sensors **PREMASGARD® 711x** (series) with eight switchable measuring ranges (eight devices in one), housing made from impact-resistant plastic, optionally with/without display, with **cable gland** or **M12 connector** according to DIN EN 61076-2-101 and with metal pressure port nozzles (quick connect optional) are used to measure positive, negative or differential pressures in air. The piezoresistive measuring element is temperature-compensated and guarantees a high degree of reliability and accuracy.

Applications of these pressure sensors are in clean room, medical and filter technology, in ventilation and air conditioning ducts, in spray booths, in large-scale catering facilities, for filter monitoring and level measurement or for triggering frequency converters. Media measured with these pressure transducers are air (non-precipitating), or other gaseous, non-aggressive, non-combustible media.

The pressure sensor has a button for manual zero point calibration (automatic zero point calibration optional/standard for 25 Pa) and an offset potentiometer for final value correction. The sensor is factory-calibrated; an environmental precision adjustment by an expert is possible. The delivery includes the connection set **ASD-06** (2 m connection hose, two pressure port nipples, screws).

PREMASGARD® 711x
with cable gland



PREMASGARD® 711x-Q
with M12 connector



Pressure port
Metal nozzles
(standard)



TECHNICAL DATA

Power supply:	24 V AC ($\pm 20\%$); 15...36 V DC for U variant 15...36 V DC for I variant, depending on working resistance, residual ripple stabilised ± 0.3 V
Working resistance:	R_B (Ohm) = $(U_0 - 14 \text{ V}) / 0.02 \text{ A}$ for I variant, see working resistance diagram
Load resistance:	$R_L > 5 \text{ kOhm}$ for U variant
Power consumption:	$< 2 \text{ VA} / 24 \text{ V DC}$, $< 3.5 \text{ VA} / 24 \text{ V AC}$
Measuring ranges:	multi-range switching with 8 switchable measuring ranges (see table)
Type of pressure:	differential pressure
Pressure connection:	equipped as standard with metal connection nozzles for pressure hose $\varnothing 6 \text{ mm}$, optionally with quick connect made from stainless steel for PVC fabric pressure hose $\varnothing 6 \text{ mm}$ (external diameter)
Medium:	clean air and non-aggressive, non-combustible gases
Media temperature:	$-20...+50 \text{ }^\circ\text{C}$
Accuracy:	Type 7112 (25 Pa): typically $\pm 1 \text{ Pa}$ Type 7110 (100 Pa): typically $\pm 2 \text{ Pa}$ Type 7111 (1000 Pa): typically $\pm 5 \text{ Pa}$ Type 7115 (5000 Pa): typically $\pm 25 \text{ Pa}$ compared to the calibrated reference device
Sum of linearity+hysteresis:	$< \pm 1\%$ of final value $\pm 2\%$ of final value for pressure ranges $< \pm 250 \text{ Pa}$
Temp. drift values:	$\pm 0.1\% / ^\circ\text{C}$ $\pm 0.3\% / ^\circ\text{C}$ for pressure ranges $< 250 \text{ Pa}$
Zero point offset:	$< \pm 0.7\%$ of final value $\pm 1.4\%$ of final value for pressure ranges $< 250 \text{ Pa}$
Positive/negative pressure:	max. $\pm 100 \text{ hPa}$
Signal filtering:	switchable 1 s / 10 s (via DIP switches)
Output:	0 -10 V or 4...20 mA
Connection type:	2- or 3-wire connection
Electrical connection:	0.14-1.5 mm ² , via plug-in screw terminal
Cable connection:	cable gland , plastic (M 16 x 1.5; with strain relief, exchangeable, max. inner diameter 10.4 mm) or M12 connector (male, 5-pin, A-code) according to DIN EN 61076-2-101
Housing:	plastic , UV-resistant, material polyamide, 30 % glass-globe reinforced, with quick-locking screws (slotted/Phillips head combination), colour traffic white (similar to RAL 9016), cover for display is transparent!
Housing dimensions:	126 x 90 x 50 mm (Tyr2)
Air humidity:	$< 95\%$ r. H., non-precipitating air
Protection class:	III (according to EN 60 730)
Protection type:	IP 65 (according to EN 60 529) in the built-in state
Standards:	CE conformity according to EMC Directive 2014 / 30 / EU, according to EN 61326-1, according to EN 61326-2-3
Equipment:	display with illumination , three-line, cutout approx. 70 x 40 mm (W x H), to display the ACTUAL pressure as well as the automatic zero point calibration
ACCESSORIES	see table

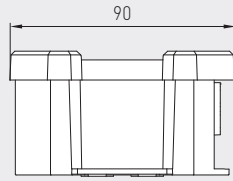
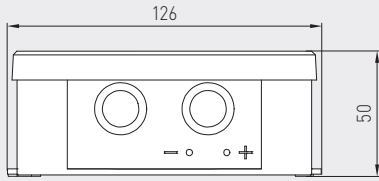


Pressure and differential pressure measuring transducers, including connection set, adjustable, calibratable, with multi-range switching and active output



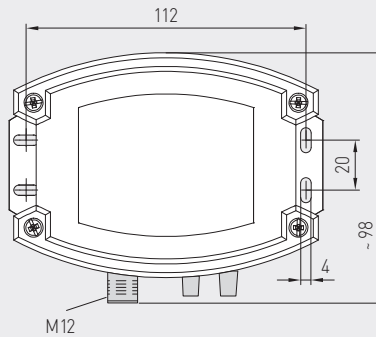
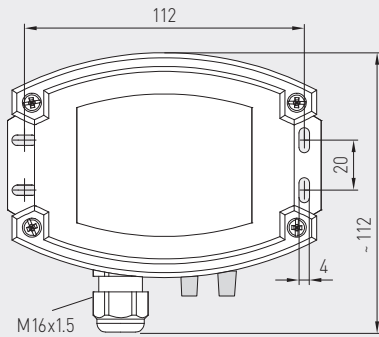
Dimensional drawing

PREMASGARD® 711x



Housing with cable gland equipped as standard with pressure port nozzles

Housing with M12 connector equipped as standard with pressure port nozzles



Pressure port nozzles, metal



M12 connector (male)

PREMASGARD® 711x with cable gland and display



PREMASGARD® 711x-Q with M12 connector and display



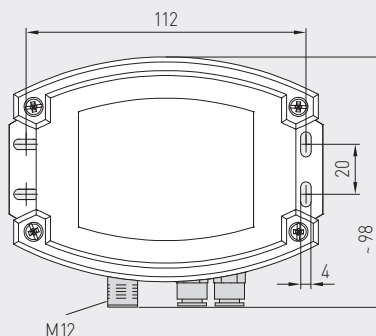
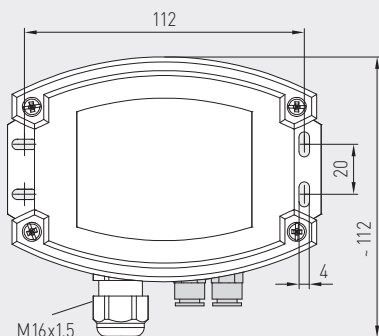
Pressure port Stainless steel quick connect (optional)

Dimensional drawing

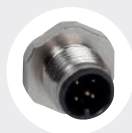
PREMASGARD® 711x

Housing with cable gland optional on request with quick connect

Housing with M12 connector optional on request with quick connect



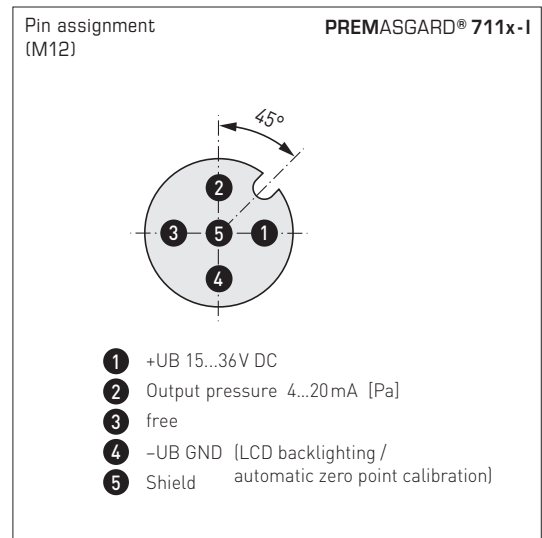
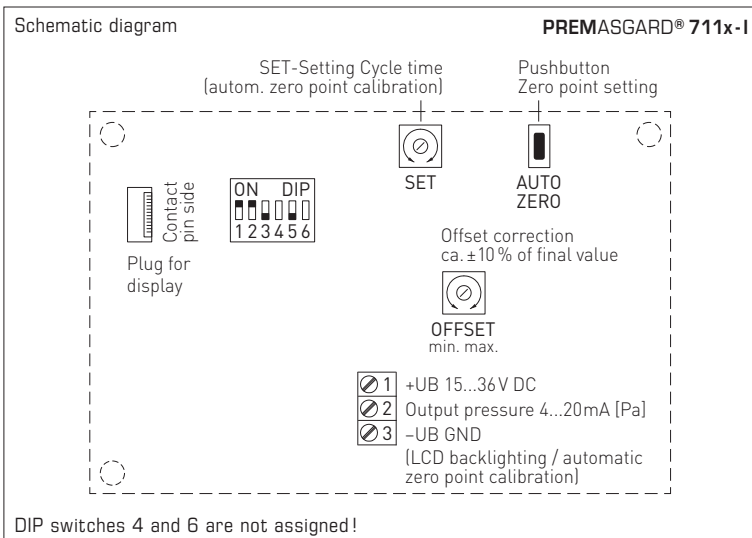
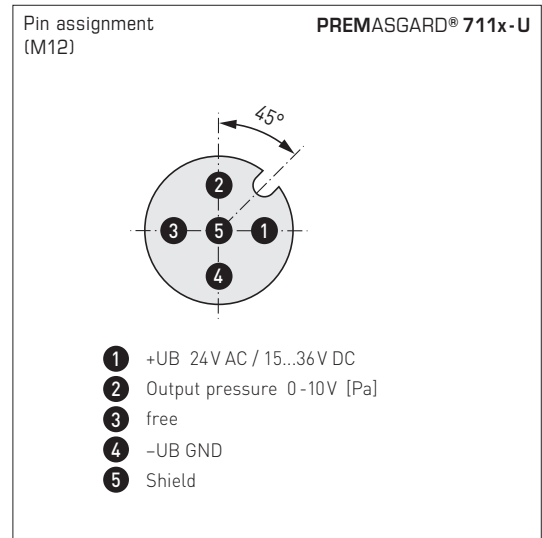
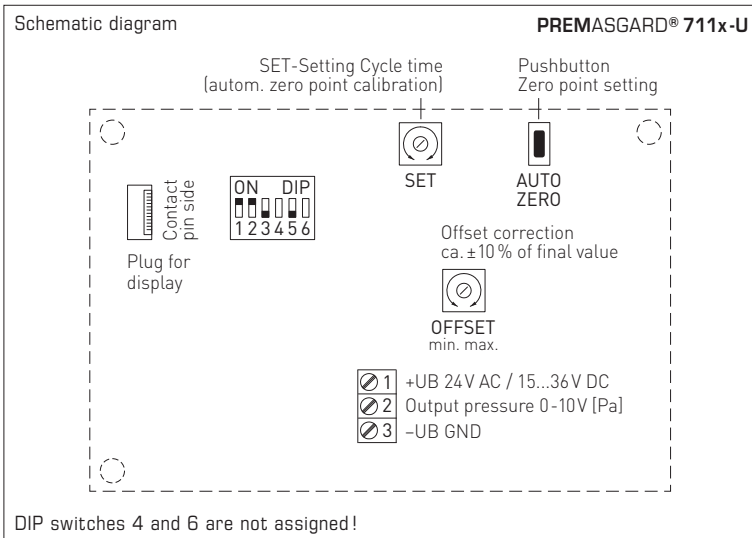
Stainless steel quick connect



M12 connector (male)



Pressure and differential pressure measuring transducers, including connection set, adjustable, calibratable, with multi-range switching and active output

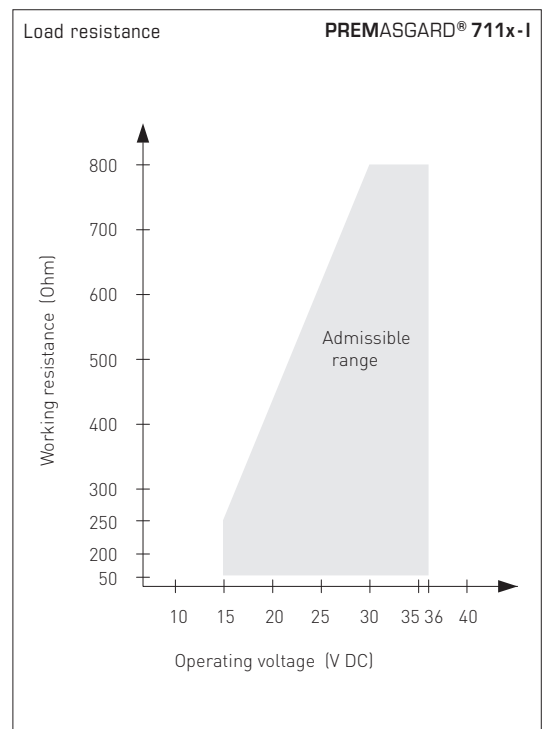


Display with option automatic zero point calibration

Standard
Actual pressure (in Pa)
Calibration interval (arrows)

Zero point calibration active
Remaining calibration time (in seconds)

Adjustment of zero point calibration
Cycle time (15 min to 24 hours) adjustable by potentiometer.





S+S REGELTECHNIK

Pressure and differential pressure measuring transducers, including connection set, adjustable, calibratable, with multi-range switching and active output

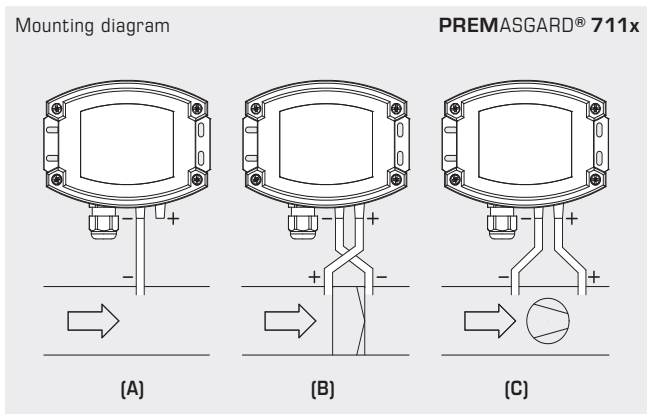
PREMASGARD® 711x-Q
with display,
hinged



Pressure range (selectable) – max. measuring range (default) is depending to the type of device								DIP 1	DIP 2
0...25 Pa	0...50 Pa	0...100 Pa	0...1000 Pa	-25...+25 Pa	-50...+50 Pa	-100...+100 Pa	-1000...+1000 Pa	OFF	OFF
-	-	0...300 Pa	0...2000 Pa	-	-	-300...+300 Pa	-2000...+2000 Pa	ON	OFF
-	-	0...500 Pa	0...3000 Pa	-	-	-500...+500 Pa	-3000...+3000 Pa	OFF	ON
0...25 Pa	0...100 Pa	0...1000 Pa	0...5000 Pa	-25...+25 Pa	-100...+100 Pa	-1000...+1000 Pa	-5000...+5000 Pa	ON	ON

Measuring range mode (Mode selectable)	DIP 3
Unidirectional (0...+MR) (default)	OFF
Bidirectional (-MR...+MR)	ON

Measurement signal filtering (Time interval selectable)	DIP 5
10 s (default)	OFF
1 s	ON



TYPES OF MONITORING:

- (A) Below-atmospheric pressure:**
P1 (+) is not connected
but open against atmosphere
P2 (-) connected to inside of duct
- (B) Filter:**
P1 (+) connected upstream of filter
P2 (-) connected downstream of filter
- (C) Ventilator:**
P1 (+) connected downstream of ventilator
P2 (-) connected upstream of ventilator

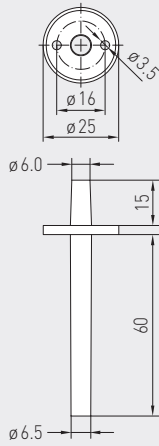
Pressure connections at the pressure switch are marked with P1 (+) for higher pressure and P2 (-) for lower pressure.

Conversion table for pressure values:

Unit =	bar	mbar	Pa	kPa	mWS
1 Pa	0,00001 bar	0,01 mbar	1 Pa	0,001 kPa	0,000101971 mWS
1 kPa	0,01 bar	10 mbar	1000 Pa	1 kPa	0,101971 mWS
1 bar	1 bar	1000 mbar	100000 Pa	100 kPa	10,1971 mWS
1 mbar	0,001 bar	1 mbar	100 Pa	0,1 kPa	0,0101971 mWS
1 mWS	0,0980665 bar	98,0665 mbar	9806,65 Pa	9,80665 kPa	1 mWS

Pressure and differential pressure measuring transducers, including connection set, adjustable, calibratable, with multi-range switching and active output

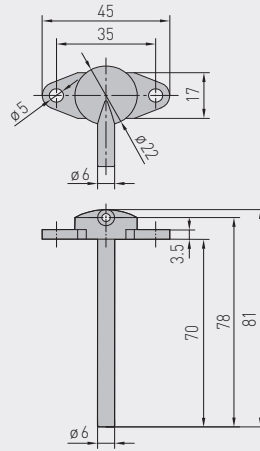
Dimensional drawing **ASD-06**
Connection set



ASD-06
Connection set



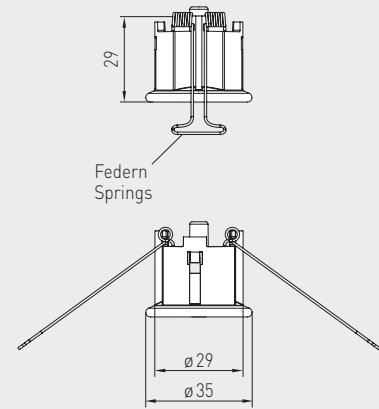
Dimensional drawing **ASD-07**
Connection nipple



ASD-07
Connection nipple



Dimensional drawing **DAL-01**
Pressure outlet



DAL-01
Pressure outlet



WS-03
Weather and sun protection hood (optional)

Pressure port
equipped as standard with pressure port metal **nozzles**



optional on request with stainless steel **quick connect**



ACCESSORIES

ASD-06	Connection set (included in the scope of delivery) , consisting of 2 connection nipples (straight) made of ABS, 2 m PVC hose (soft, UV-resistant) and 4 screws	7100-0060-3000-000	7,28 €
ASD-07	2 connection nipples (at 90 degree angle) made of plastic, ABS	7100-0060-7000-000	7,28 €
DAL-01	Pressure outlet for ceiling or in-wall installation (e.g. in clean rooms)	7300-0060-3000-001	34,07 €
WS-03	Weather and sun protection hood , 200 x 180 x 150 mm, stainless steel V2A (1.4301)	7100-0040-6000-000	42,61 €

For further information, see chapter Accessories!



S+S REGELTECHNIK

PREMASGARD® 711x

Pressure and differential pressure measuring transducers, including connection set, adjustable, calibratable, with multi-range switching and active output

PREMASGARD® 711x-Q
with M12 connector



PREMASGARD® 711x
with cable gland



PREMASGARD® 711x		Pressure and differential pressure measuring transducers, <i>Deluxe</i>			
Pressure range (adjustable)	Type / WG02	Output	Display ● = Q	Item No.	Price
max. - 1000...+ 1000 Pa		Type 7111			
0... 100 Pa / - 100... + 100 Pa	PREMASGARD 7111-U	0-10V		1301-7111-0010-200	160,09 €
0... 300 Pa / - 300... + 300 Pa	PREMASGARD 7111-U LCD	0-10V	■	1301-7111-4010-200	224,59 €
0... 500 Pa / - 500... + 500 Pa	PREMASGARD 7111-I	4...20mA		1301-7112-0010-100	160,09 €
0... 1000 Pa / -1000... + 1000 Pa	PREMASGARD 7111-I LCD	4...20mA	■	1301-7112-4010-100	224,59 €
	PREMASGARD 7111-U Q	0-10V	●	2004-6131-1100-001	200,02 €
	PREMASGARD 7111-U Q LCD	0-10V	● ■	2004-6132-1100-001	264,51 €
	PREMASGARD 7111-I Q	4...20mA	●	2004-6131-2100-001	200,02 €
	PREMASGARD 7111-I Q LCD	4...20mA	● ■	2004-6132-2100-001	264,51 €
max. - 5000...+ 5000 Pa		Type 7115			
0... 1000 Pa / - 1000... + 1000 Pa	PREMASGARD 7115-U	0-10V		1301-7111-0050-200	160,09 €
0... 2000 Pa / - 2000... + 2000 Pa	PREMASGARD 7115-U LCD	0-10V	■	1301-7111-4050-200	224,59 €
0... 3000 Pa / - 3000... + 3000 Pa	PREMASGARD 7115-I	4...20mA		1301-7112-0050-100	160,09 €
0... 5000 Pa / - 5000... + 5000 Pa	PREMASGARD 7115-I LCD	4...20mA	■	1301-7112-4050-100	224,59 €
	PREMASGARD 7115-U Q	0-10V	●	2004-6131-1100-011	200,02 €
	PREMASGARD 7115-U Q LCD	0-10V	● ■	2004-6132-1100-021	264,51 €
	PREMASGARD 7115-I Q	4...20mA	●	2004-6131-2100-011	200,02 €
	PREMASGARD 7115-I Q LCD	4...20mA	● ■	2004-6132-2100-011	264,51 €
max. - 100...+ 100 Pa		Type 7110			
0... +50 Pa / -50... +50 Pa	PREMASGARD 7110-U	0-10V		1301-7111-0110-200	201,55 €
0...+100 Pa / -100...+100 Pa	PREMASGARD 7110-U LCD	0-10V	■	1301-7111-4110-200	259,14 €
	PREMASGARD 7110-I	4...20mA		1301-7112-0110-100	201,55 €
	PREMASGARD 7110-I LCD	4...20mA	■	1301-7112-4110-100	259,14 €
	PREMASGARD 7110-U Q	0-10V	●	2004-6131-1100-021	241,48 €
	PREMASGARD 7110-U Q LCD	0-10V	● ■	2004-6132-1100-031	299,06 €
	PREMASGARD 7110-I Q	4...20mA	●	2004-6131-2100-021	241,48 €
	PREMASGARD 7110-I Q LCD	4...20mA	● ■	2004-6132-2100-021	299,06 €
max. - 25...+ 25 Pa		Type 7112			
0... +25 Pa / -25... +25 Pa	PREMASGARD 7112-U	0-10V		1301-7111-0370-200	257,98 €
	PREMASGARD 7112-U LCD	0-10V	■	1301-7111-4370-200	305,45 €
	PREMASGARD 7112-I	4...20mA		1301-7112-0370-200	257,98 €
	PREMASGARD 7112-I LCD	4...20mA	■	1301-7112-4370-200	305,45 €
	PREMASGARD 7112-U Q	0-10V	●	2004-6131-1100-031	297,92 €
	PREMASGARD 7112-U Q LCD	0-10V	● ■	2004-6132-1100-011	345,37 €
	PREMASGARD 7112-I Q	4...20mA	●	2004-6131-3100-001	297,92 €
	PREMASGARD 7112-I Q LCD	4...20mA	● ■	2004-6132-3100-011	345,37 €
Housing variant "Q":	Cable connection with M12 connector (male, 5-pin , A-code)				
Multi-range switching:	The pressure ranges depend on the device type and can be set via DIP switches.				
Extra charge:	Other special measuring ranges up to max. 5000 Pa with optional automatic zero point calibration with optional quick connect for PVC fabric pressure hose Ø 6 mm				47,46 € 69,10 € 39,94 €