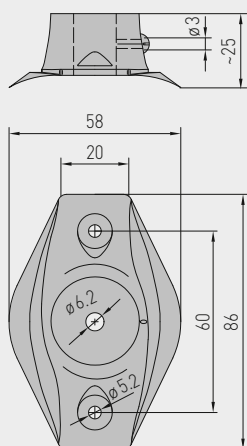


Mounting flange, plastic

Dimensional drawing **MF-06-K**

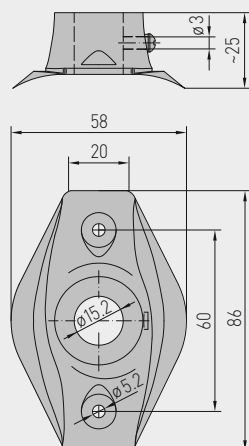


MF-06-K

Mounting flange, plastic



Dimensional drawing **MF-15-K**

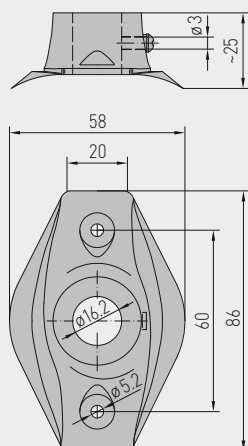


MF-15-K

Mounting flange, plastic



Dimensional drawing **MF-16-K**

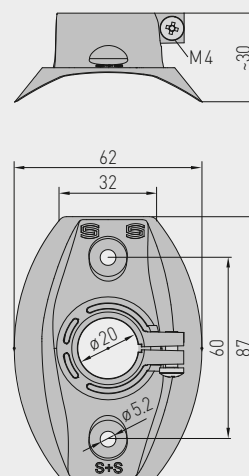


MF-16-K

Mounting flange, plastic



Dimensional drawing **MFT-20-K**

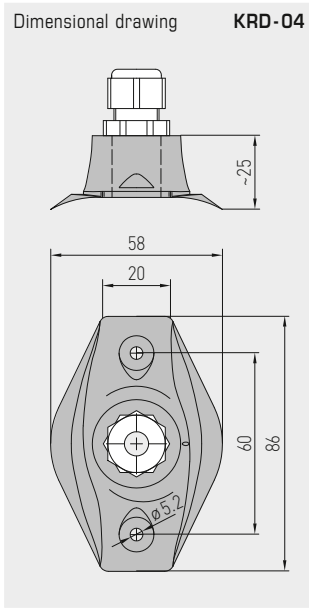


MFT-20-K

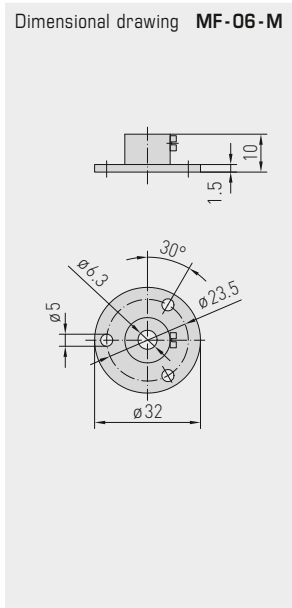
Mounting flange, plastic



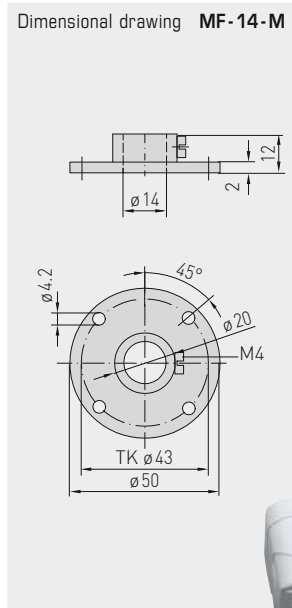
Type / WG01	Mounting flange, plastic	Tube Gland	T _{max}	Item No.	Price
MF-K	for metal protective tubes!				
MF-06-K	Mounting flange, plastic, approx. 58x86x25 mm for mean value temperature sensors MWTF and mean value temperature measuring transducers MWTM	Ø 6.2 mm	+100 °C	7100-0030-1000-000	5,29 €
MF-14-K	Mounting flange, plastic, approx. 58x86x25 mm for duct humidity sensors KFF / KFTF and pendulum room humidity sensors RPF / RPTF as well as for duct air flow monitors KLG / KLSW	Ø 14.2 mm	+100 °C	7100-0030-2000-000	8,26 €
MF-15-K	Mounting flange, plastic, approx. 58x86x25 mm for temperature sensors TF (series Tyr 1) and temperature measuring transducers TM (series Tyr 1)	Ø 15.2 mm	+100 °C	7100-0032-0000-000	5,29 €
MF-16-K	Mounting flange, plastic, approx. 58x86x25 mm for duct air quality sensors KLG	Ø 16.2 mm	+100 °C	7100-0030-0000-000	8,26 €
MF-20-K	Mounting flange, plastic, approx. 58x86x25 mm for duct sensors KCO ₂ , KLG-CO ₂ , KH	Ø 20.2 mm	+100 °C	7100-0030-4000-000	8,26 €
MFT-K	for PLEUROFORM multi-channel pipes!				
MFT-20-K	Mounting flange, plastic, approx. 62x87x30 mm for duct sensors (series Tyr 2)	Ø 20 mm	+100 °C	7000-0031-0000-000	8,26 €



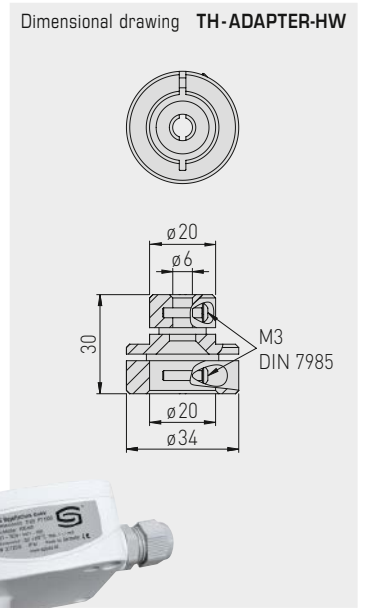
KRD-04
Capillary tube gland bracket, plastic



MF-06-M
Mounting flange, metal



MF-14-M
Mounting flange, metal



TH-ADAPTER-HW
Immersion sleeve adapter, metal

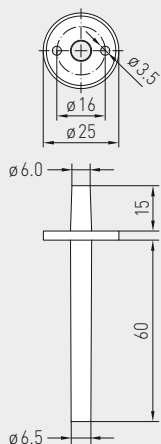


Type / WG01	Mounting flange, metal	Tube Gland	T _{max}	Item No.	Price
MF-M	for metal protective tubes!				
MF-06-M	Mounting flange, metal (galvanised steel), Ø 32 mm, for temperature sensors TF (form B) and temperature measuring transducers TM (form B) as well as for mean value temperature sensors MWTF and mean value temperature measuring transducers MWTM	Ø 6.3 mm	+700 °C	7100-0030-5000-000	8,26 €
MF-14-M	Mounting flange, metal (galvanised steel), Ø 50 mm, for duct humidity sensors KFF / KFTF and pendulum room humidity sensors RPPF / RPFTF	Ø 14.0 mm	+700 °C	7100-0030-6000-000	27,28 €

Type / WG01	Capillary tube gland bracket, plastic	Item No.	Price
KRD-04	Capillary tube gland bracket, plastic, approx. 58x86x25 mm (M16 x 1.5) for frost protection thermostats (e.g. for air ducts) as well as for mean value temperature sensors MWTF and mean value temperature measuring transducers MWTM	7100-0030-7000-000	7,71 €

Type / WG01	Immersion sleeve adapter, metal	Item No.	Price
TH-ADAPTER-HW	Metal immersion sleeve adapter (adaptation Ø 20 mm / Ø 6 mm) for mounting S+S temperature sensors from the TF and TM series in immersion sleeves by Honeywell / Centraline of the types VFFT, VFL, VFNT, VFLN	7100-0037-0001-000	13,39 €

Dimensional drawing ASD-06

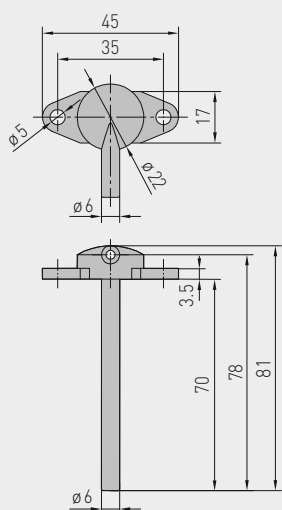


ASD-06

Connection set (straight nipples)



Dimensional drawing ASD-07

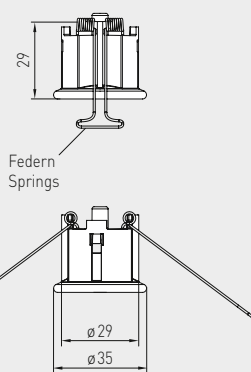


ASD-07

Connection nipples (at 90 degree angle)

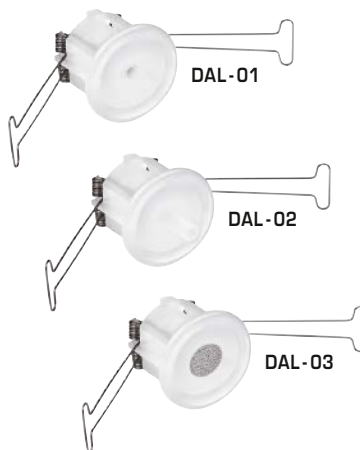


Dimensional drawing DAL-01

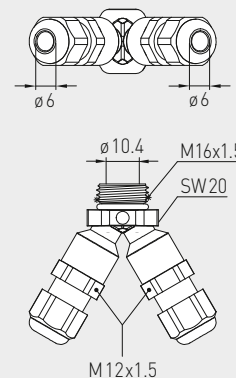


DAL

Pressure outlet



Dimensional drawing MODBUS-Y



MODBUS-Y

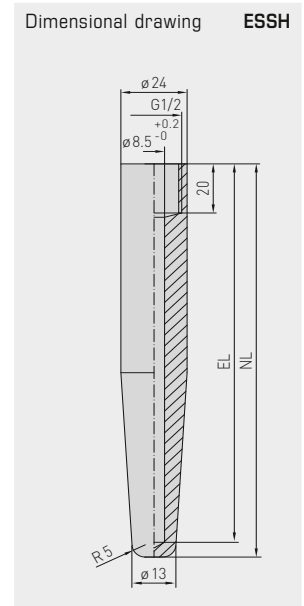
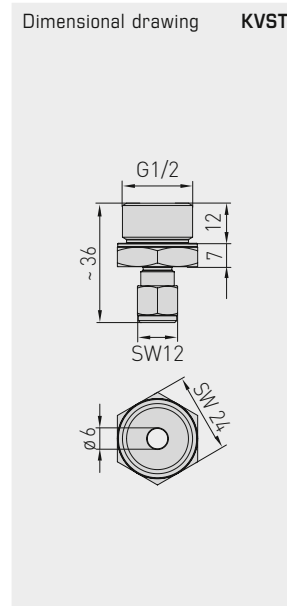
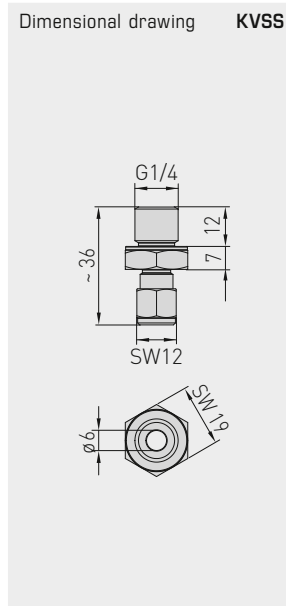
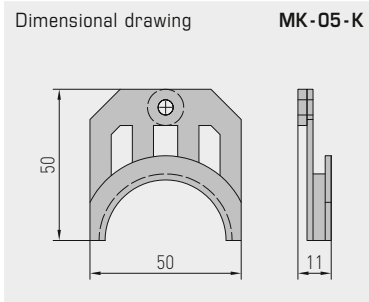
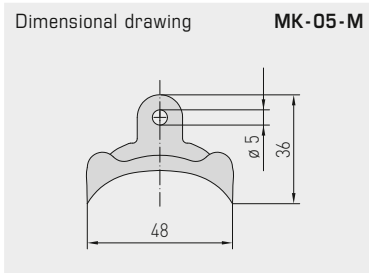
Y-adapter as bypass for bus connection



Type / WG01	Accessories for differential pressure switches	Item No.	Price
ASD-06	Connection set consisting of 2 connection nipples (straight) made of ABS, 2 m PVC hose, soft, and 4 tapping screws)	7100-0060-3000-000	6,61 €
ASD-07	2 connection nipples (at 90 degree angle) made of ABS	7100-0060-7000-000	6,61 €
ASS-UV 100M	Connecting hose, UV-resistant, Ø 6 mm, 1 roll (100 m)	7100-0060-3101-000	1399,13 €
DAL-01	Pressure outlet for ceiling and in-wall installation as a pressure reference point	7300-0060-3000-001	30,93 €
DAL-02	for hose attachment	7300-0060-3000-100	30,93 €
DAL-03	as a pressure reference point, with sinter filter made of stainless steel V4A (1.4404)	7300-0060-3000-200	57,91 €

Type / WG01	Accessories for differential pressure switches DS1, DS2	Item No.	Price
DS-MW-Z	Sheet steel mounting angle in Z-Form	7100-0063-0000-000	11,55 €
DS-MW-L	Sheet steel mounting angle in L-Form	7100-0063-1000-000	11,82 €
DS-MW-U	Sheet steel mounting angle in U-Form	7100-0060-9000-000	14,53 €

Type / WG01	Special accessories for Modbus connection	Item No.	Price
MODBUS-Y	Y-adapter for cable gland M16x 1.5 (on 2x M12x 1.5), made of plastic	7000-0005-0002-100	9,10 €



MK-05-K
Galvanised steel
mounting clamps

MK-05-M
Mounting clamps,
plastic

KVST
Clamp union
with clamp ring

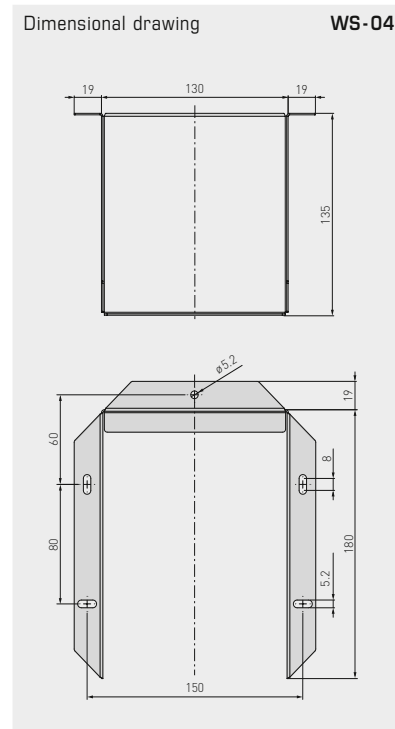
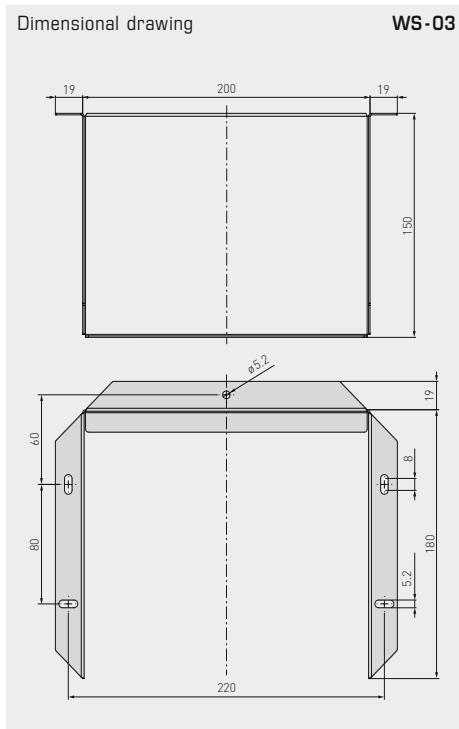
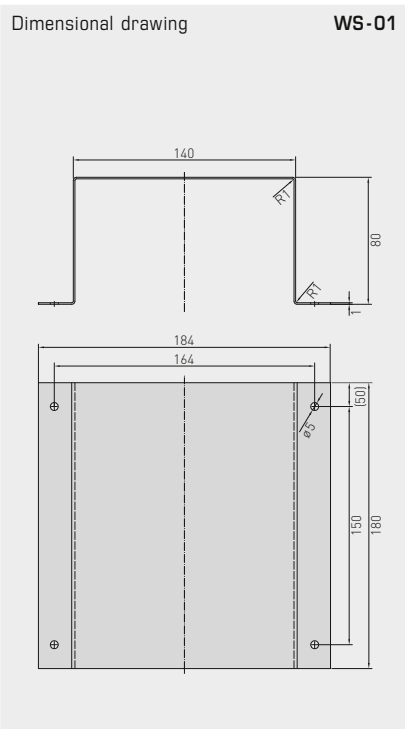
ESSH
Welding protective
sleeve



Type / WG01	Miscellaneous mounting accessories	Item No.	Price
MK-05-M	Galvanised steel mounting clamps (6 pieces) for mean value sensors	7100-0034-0000-000	8,54 €
MK-05-K	Plastic mounting clamps (6 pieces) for frost protection thermostats	7100-0034-1000-000	8,54 €
WH-20	Wall bracket for duct hygrostats KH	1200-0010-4000-000	10,78 €
HS-ADAPTER	Universal holder for small housings made from plastic PA6, black, for installation on 35mm top-hat rails, incl. fixing screws	7100-0038-0000-000	19,27 €
KVST	Clamp union with clamp ring PTFE, Ø 6 mm	7100-0032-0110-000	16,41 €
KVSS	Clamp union with cutting ring VA, Ø 6 mm	7100-0032-1000-000	16,41 €
SPB1	Strap for surface-contact sensors	7100-0035-0000-000	3,26 €

Type / WG01	Special accessories	Item No.	Price
Welding protecting sleeves , G ½" straight internal pipe thread, stainless steel V4A (1.4571), other materials on request,			
ESSH 100MM	for immersion sleeves (EL) = 100 mm, P _{max} = 100 bar	7100-0052-0020-001	59,54 €
ESSH 150MM	for immersion sleeves (EL) = 150 mm, P _{max} = 100 bar	7100-0052-0030-001	68,35 €
ESSH 200MM	for immersion sleeves (EL) = 200 mm, P _{max} = 100 bar	7100-0052-0040-001	77,15 €

Special accessories
and spare parts



WS-01

Sun and ball-impact protection hood



WS-03

Weather and sun protection hood



WS-04

Weather and sun protection hood



Type / WG01	Special accessories and spare parts	Item No.	Price
WS-01	Sun and ball-impact protection hood, 184 x 180 x 80 mm, stainless steel V2A (1.4301)	7100-0040-2000-000	27,47 €
WS-03	Weather and sun protection hood, 200 x 180 x 150 mm, stainless steel V2A (1.4301)	7100-0040-6000-000	38,68 €
WS-04	Weather and sun protection hood, 130 x 180 x 135 mm, stainless steel V2A (1.4301)	7100-0040-7000-000	32,41 €
SF-K	Plastic sinter filter, Ø 16 mm, L = 35 mm, exchangeable	7000-0050-2310-000	11,12 €
SF-M	Metal sinter filter, Ø 16 mm, L = 32 mm, exchangeable, stainless steel V4A (1.4404)	7000-0050-2200-100	36,59 €
PSW-09	1 set of stainless steel paddles 1-8" (4 pieces), 29 x 34/60/89/157 mm for flow monitors SW	7700-0010-1000-000	16,61 €
PWFS-08	Stainless steel vane for vane switch WFS	7700-0010-2000-000	16,09 €
WLP-1	Heat-conductive paste, silicone-free (2 ml)	7100-0060-1000-000	2,92 €



Individual components WGO1	Item No.	Price
FET	7100-0022-4000-000	44,03 €
KTY 81-210	7100-0022-0000-000	4,18 €
LM235Z (TCR = 10 mV / K; 2.73 V at 0°C), KP10	7100-0022-1000-000	6,71 €
NI1000 (according to DIN EN 43760, class B, TKR = 6180 ppm / K)	7100-0020-9000-000	7,98 €
NI1000TK5000 (according to DIN EN 43760, class B, TKR = 5000 ppm / K), LG-Ni 1000	7100-0021-0000-000	11,23 €
NTC 1,8 KOHM NTC 1.8K	7100-0021-2000-001	9,80 €
NTC 10 KOHM PRECON NTC 10K Precon	7100-0021-9000-000	5,13 €
NTC 20 KOHM NTC 20K	7100-0021-6000-000	5,13 €
NTC 30 KOHM NTC 30K	7100-0021-7000-000	5,13 €
NTC 50 KOHM NTC 50K	7100-0021-8000-000	5,13 €
PT100 KLASSE B (according to DIN EN 60751, class B)	7100-0020-1000-000	6,17 €
PT100 1/2 DIN (according to DIN EN 60751, class A)	7100-0020-2000-000	8,20 €
PT100 1/3 DIN (according to DIN EN 60751, class A)	7100-0020-3000-000	9,53 €
PT1000 KLASSE B (according to DIN EN 60751, class B)	7100-0020-5000-000	8,31 €
PT1000 1/2 DIN (according to DIN EN 60751, class A)	7100-0020-6000-000	9,41 €
PT1000 1/3 DIN (according to DIN EN 60751, class A)	7100-0020-7000-000	10,96 €
PT1000 1/10 DIN (according to DIN EN 60751, class AA)	7100-0020-8000-000	34,29 €
Note: Other sensors on request.		

Optional services WGO1	Unit	Price
Double sensor	plus 50 % of instrument price	
1 / 2 DIN (according to DIN EN 60751, class A)	Per piece	6,36 €
1 / 3 DIN (according to DIN EN 60751, class A)	Per piece	6,36 €
1 / 10 DIN (according to DIN EN 60751, class AA)	Per piece	25,42 €
Connection type		
4-wire connection with ceramic base, head form B	Per piece	5,29 €
4-wire connection with circuit board, box head	Per piece	3,18 €
Protection class		
IP65 at head form B	Per piece	8,16 €
IP68 (Sensor sleeve watertight compound-filled) for cable sensors	Per piece	2,94 €

Custom-made products (for 25 or more pieces)	Unit	Price
Silicone-free sensor production	Per piece	on request!
Factory test certificate		
(per device)	1-point certificate	One-time cost on request!
	2-point certificate	One-time cost on request!
	3-point certificate	One-time cost on request!
	Each additional test point	One-time cost on request!
Custom-made products	Setup costs for custom-made products	One-time cost on request!
Special paintwork		
	Set-up costs for special paintwork	one-off (net) 164,00 €
	plus costs for special paintwork	from 25 piece per piece 15,79 €
		from 50 piece per piece 11,48 €
Special print		
(with stereotype)	Set-up costs incl. stereotype production, 1 colour	one-off (net) 164,00 €
	Set-up costs incl. stereotype production, 2 colour	one-off (net) 251,13 €
	plus costs for special print	from 25 piece per piece / colour 9,95 €
		from 50 piece per piece / colour 6,72 €
		from 100 piece per piece / colour 5,39 €
		from 250 piece per piece / colour 4,10 €
		from 500 piece per piece / colour 2,05 €
Printing customer logo on housing cover		
(for 200 covers of one housing series)	Setup costs for printing on housing cover	One-time cost on request!
	Plus printing costs, 2-colour, printing on housing cover	Per piece on request!
Labelling with customer logo		
	Setup costs for labelling	One-time cost on request!
	Plus costs for labelling	Per piece on request!